

AIR HOIST

ENDO "AIR HOIST" SERIES

AIR HOIST






CERT No. Q10458

 **ENDO**
ENDO KOGYO CO., LTD.
〒959-12 3-14-7 Akiba-cho
Tsubame, Niigata, Japan
P2H300572

 **ENDO**
ENDO KOGYO CO., LTD.

ENDO high efficient air hoists achieve speedy and safe work.

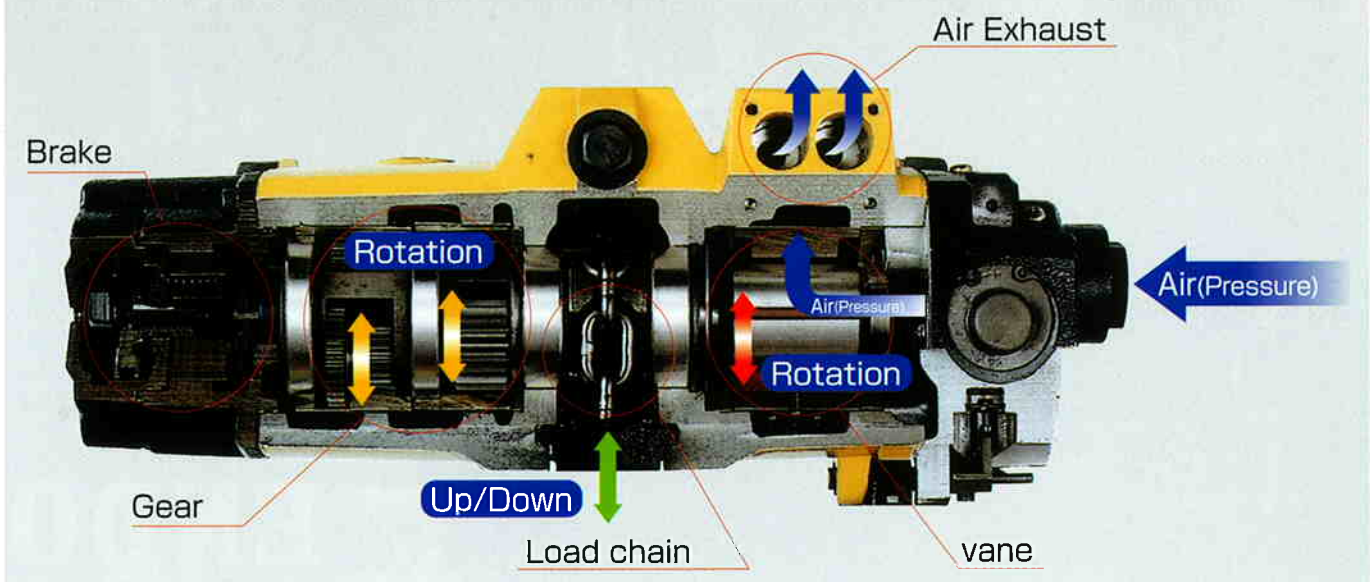
Advantages ;

-  Small and compact body provides easy handling.
-  High-speed operation provided by ENDO air hoists serves the improved working efficiency to the work which requires considerable frequency.
-  Smooth and step less operation avails for precise works like Jig setting.
-  Non-step speed control is available. Operation speed depends on the pushing degree of the push buttons or the pulling degree of the control rope.
-  Easy installation. The air hoist works after hose connecting. No adjustment is required.
* Always make sure of air blow before connecting the hose with an air hoist. This is important to avoid the unexpected trouble of control valve etc.
-  ENDO air motor realizes safe working condition against the work in the risk of explosion like the chemical factory.



Structure of ENDO air hoist

The vane motor is applied to ENDO air hoists. Seven vanes are composed of one set of vanes and incorporated in rotor. These vanes are movable toward radius direction and moves in the biased cylinder receiving air pressure. The moving vanes move the rotor and finally lifting and lowering are realized.



Explanation about speed control

Non-step speed control is available. Operation speed depends on the pushing degree of the push buttons or the pulling degree of the control rope.



EHW-60
EHW-120



EHW-60R
EHW-120R·AT



ATC



(EHL) PCS-1
(EHL) PCS-2

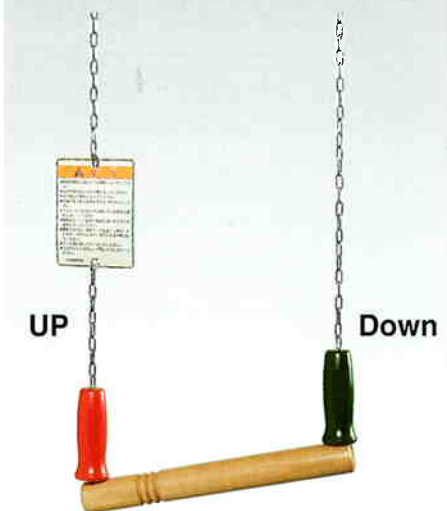


(EHL) Pull rope

ENDO air hoist speed control is associated with the accelerator of motor bicycle or car. Pushing degree / pulling degree controls the speed of lifting / lowering.



Pendant switch



Pull rope (EHL)

Pushing degree - [shallow]



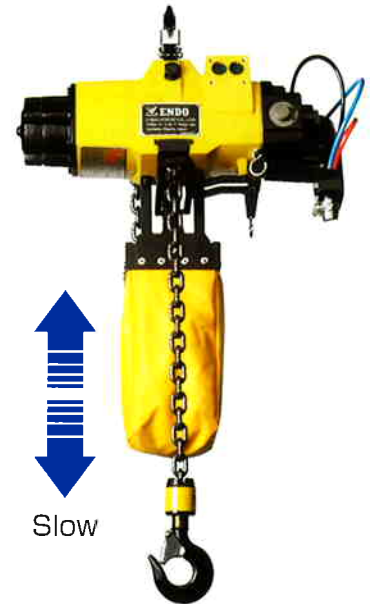
Pulling degree - [shallow]



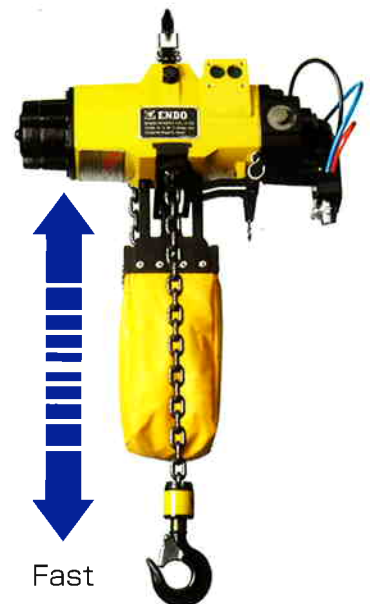
Pushing degree - [deep]



Pulling degree deep - [deep]



Slow



Fast

WIRE TYPE EHW / AH

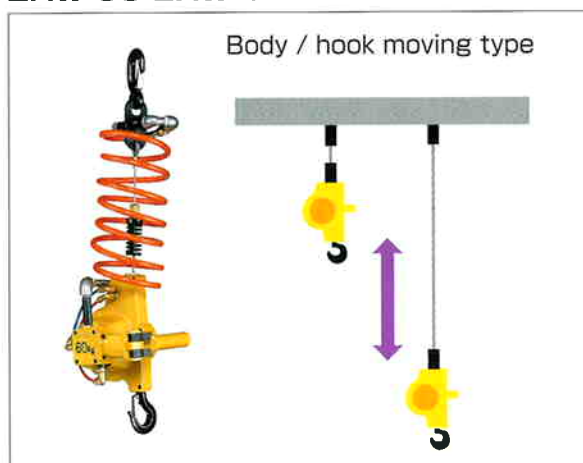


Wire rope series

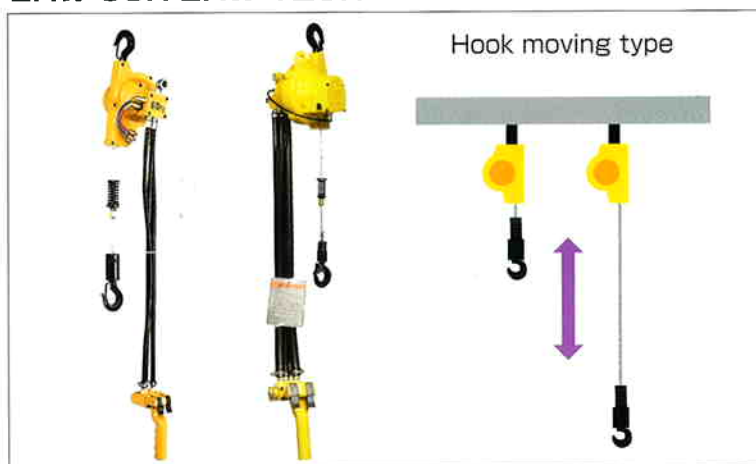
Features

1. Reduction gears are planetary gears which are small and light and can take large speed reduction ratio. Reduction gears are well heat-treated having adequate strength.
2. Control valve is engineered with spool valves of spring return in 2 positions and 3 ports. The valve works by controlling the lever switch connected with the spool.
3. The cone brake system is applied to the wire rope hoists. The durable cone brake connected with the control valve is integrated with the proper speed reduction mechanism at air motor, finally achieving the excellent control.
4. The reverse winding protection is incorporated in EHW air hoists series. When the wire rope is pulled out 1.9 m, the system makes the air motor stopped automatically. Safety working is provided.

EHW-60 EHW-120



EHW-60R EHW-120R AH-250R



Specification

Model	Rated load kg	Stroke m	Air pressure MPa (kgf/cm ²)	Lifting speed m/min	Air consumption m ³ /min (normal)	Air inlet	Mass kg
EHW-60	60	1.9	0.4 {4}	18.5	0.55	R,3/8	9.2
			0.5 {5}	22.5	0.7		
			0.6 {6}	26.0	0.88		
EHW-60R / EHW-60R-5	60	1.9	0.4 {4}	18.5	0.55	Rc,3/8	9.5 (10.3)
			0.5 {5}	22.5	0.7		
			0.6 {6}	26.0	0.88		
EHW-120	120	1.9	0.4 {4}	11.0	0.59	R,3/8	9.4
			0.5 {5}	13.5	0.75		
			0.6 {6}	16.0	0.93		
EHW-120R / EHW-120R-5	120	1.9	0.4 {4}	11.0	0.59	Rc,3/8	9.7 (10.4)
			0.5 {5}	13.5	0.75		
			0.6 {6}	16.0	0.93		
AH-250R	160	2.5	0.4 {4}	9.0	0.75	Rc,1/2	18.2
	200		0.5 {5}	10.0	0.92		
	250		0.6 {6}	11.0	1.1		

Note) Application; Indoor -10°C ~ +50°C (Temperature) () indication in Mass means EHW-XX-5 type.

EHW-60

EHW-120



Wire rope type



Button control



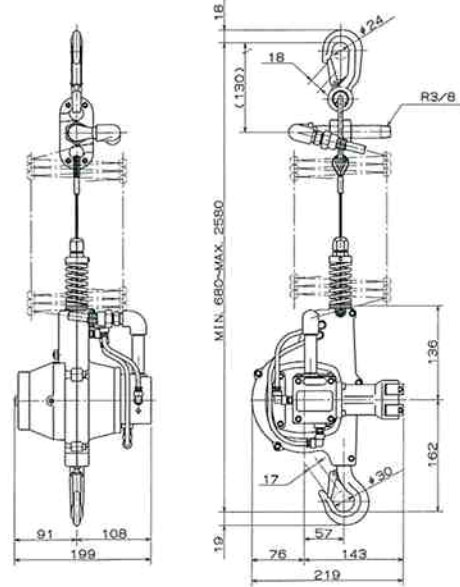
Reverse winding protection



Air motor trolley



Plain trolley



EHW-60R

EHW-120R



Wire rope type



Button control



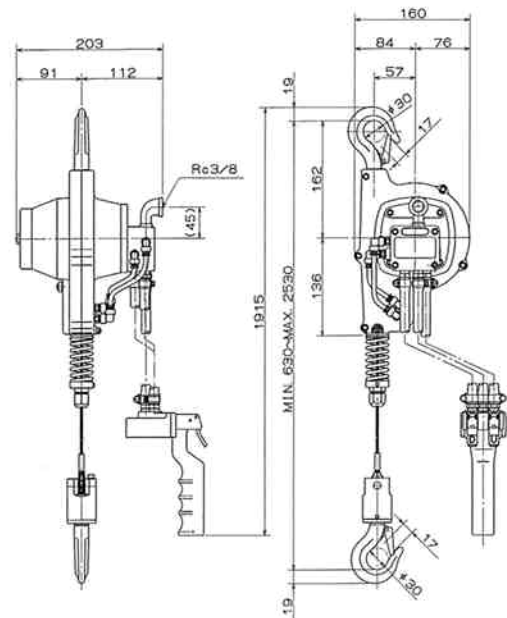
Reverse winding protection



Air motor trolley



Plain trolley



AH-250R



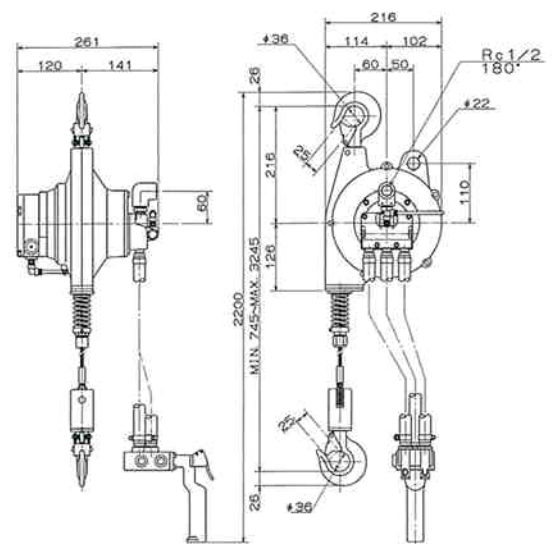
Wire rope type



Button control



Air motor trolley



Note

1. Install a filter and lubricator to the hoist as close as possible.
2. Both of cable extension and stroke extension are not available on EHW series and AH-250R.
3. Chain hoists are recommended for the frequent operation.



Load chain series

ENDO chain hoists employ the surface hardened load chain with T, Grade 8.

Specification

Model	Rated load t	Stroke m	Air pressure MPa (kgf/cm ²)	Lifting speed m/min	Air consumption m ³ /min (normal)	Chain size X fall	Air inlet	Mass kg
AT-60K AT-60K-5	60kg	3	0.4 (4)	16.5	0.52	4.0x1	Rc 3/8	12.3 (13.0)
			0.5 (5)	20.0	0.67			
			0.6 (6)	23.5	0.85			
ATC-60K ATC-60K-5	60kg	2	0.4 (4)	14.0	0.45	4.0x1	Rc 3/8	14.3
			0.5 (5)	17.0	0.58			
			0.6 (6)	20.0	0.68			
AT-125K AT-125K-5	125kg	3	0.4 (4)	10.0	0.55	4.0x1	Rc 3/8	12.5 (13.2)
			0.5 (5)	12.0	0.71			
			0.6 (6)	14.5	0.90			
ATC-125K ATC-125K-5	125kg	2	0.4 (4)	6.5	0.42	4.0x1	Rc 3/8	14.5
			0.5 (5)	10.5	0.55			
			0.6 (6)	12.0	0.65			
EHL-025TS	1/4	3	0.4 (4)	12.0	0.9	6.3x1	Rp 1/2	18.7
			0.5 (5)	16.0	1.3			
			0.6 (6)	18.0	1.6			
EHL-05TS	1/2	3	0.4 (4)	7.5	0.95	6.3x1	Rp 1/2	18.7
			0.5 (5)	9.0	1.3			
			0.6 (6)	10.5	1.65			
EHL-098TW	980kg	3	0.4 (4)	3.7	0.95	6.3x2	Rp 1/2	24.2
			0.5 (5)	4.5	1.3			
			0.6 (6)	5.2	1.65			
EHL-1TW	1	3	0.4 (4)	3.7	0.95	6.3x2	Rp 1/2	24.2
			0.5 (5)	4.5	1.3			
			0.6 (6)	5.2	1.65			
EHL-1TS	1	3	0.4 (4)	4.0	1.0	7.1x1	Rp 1/2	34.0
			0.5 (5)	5.2	1.4			
			0.6 (6)	6.0	1.8			
EHL-2TW	2	3	0.4 (4)	2.0	1.0	7.2x2	Rp 1/2	42.0
			0.5 (5)	2.6	1.4			
			0.6 (6)	3.0	1.8			
EHL-3TS	3	3	0.4 (4)	2.0	1.75	12.5x1	Rp 3/4	75.0
			0.5 (5)	2.6	2.47			
			0.6 (6)	3.0	3.14			
EHL-6TW	6	3	0.4 (4)	1.0	1.75	12.5x2	Rp 3/4	96.0
			0.5 (5)	1.3	2.47			
			0.6 (6)	1.5	3.14			

Note) ENDO air hoists are available for only indoor, with temperature of -10°C ~ +50°C. The figures () indicate AT-60K-5 and AT-125K-5.

AT.ATC SERIES

AT-60K

AT-125K



Chain type



Button control



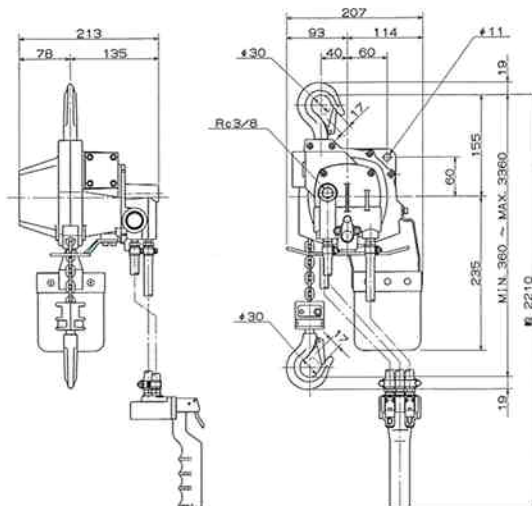
Chain extension available







Air motor trolley

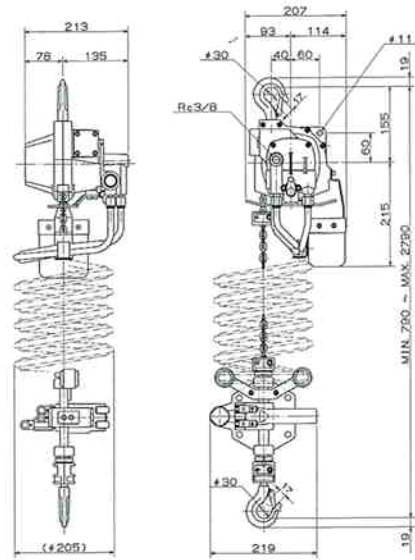


Plain trolley









ATC-60K ATC-125K

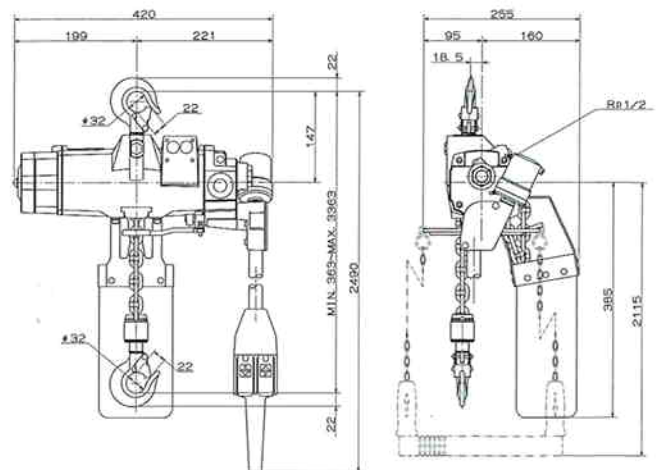
-  Chain type
-  Button control
-  Air motor trolley
-  Plain trolley









EHL SERIES

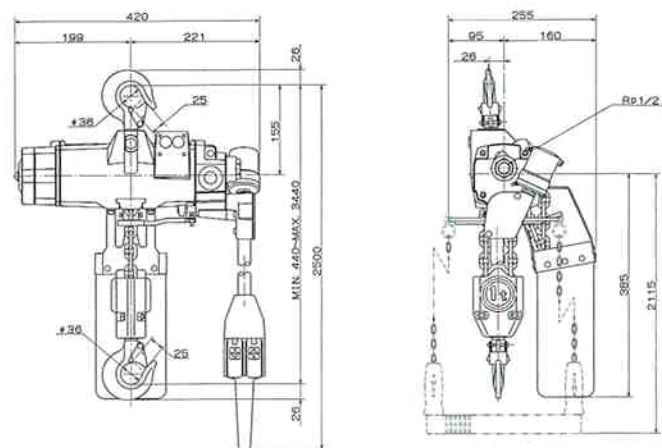
EHL-025TS EHL-05TS

-  Chain type
-  Pendant switch available
-  Chain extension available
-  Air motor trolley (MTH-1T-5)
-  Over load protector (for EHL-05TS)
-  CE available



EHL-098TW EHL-1TW

-  Chain type
-  Pendant switch available
-  Chain extension available
-  Air motor trolley (MTH-1T-5)
-  Over load protector
-  CE available









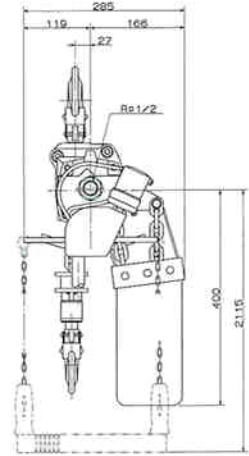
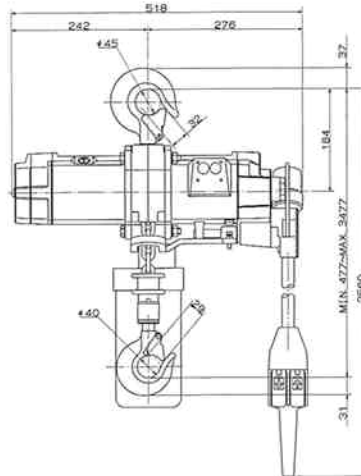
* Spheroidal graphite cast iron body is available for EHL-1 TW on request.

Note







1. Install a filter and lubricator to the hoist as close as possible.

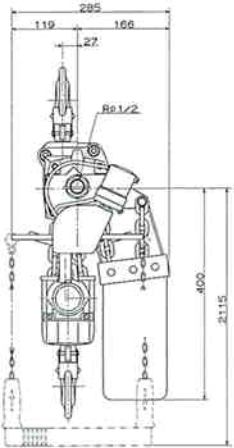
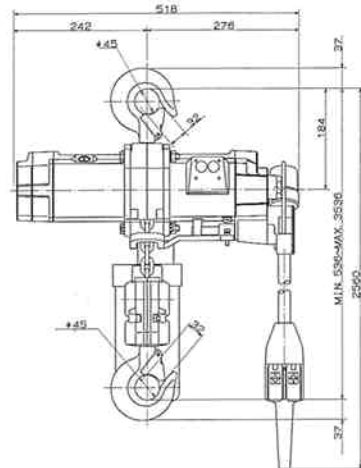
EHL-1TS

-  Chain type
-  Pendant switch available
-  Chain extension available
-  Air motor trolley (MTH-2T-5)
-  Over load protector
-  CE available









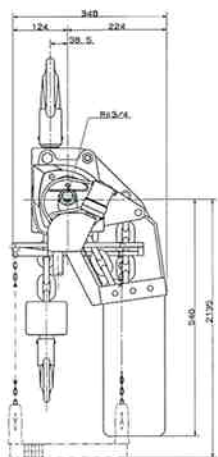
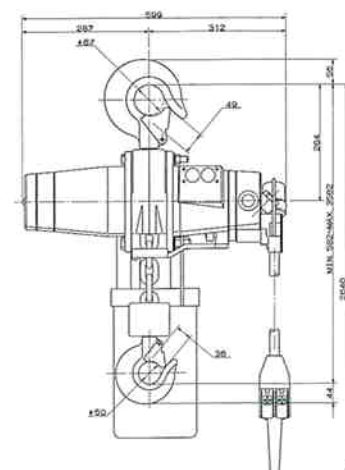
EHL-2TW

-  Chain type
-  Pendant switch available
-  Chain extension available
-  Air motor trolley (MTH-2T-5)
-  Over load protector
-  CE available



EHL-3TS

-  Chain type
-  Pendant switch available
-  Chain extension available
-  Air motor trolley (MTH-6.3T)
-  Over load protector
-  CE available



- Note**
1. Install a filter and lubricator to the hoist as close as possible.
 2. Chain hoists are recommended for the frequent operation.